

20A-84259 FORK POSITIONER

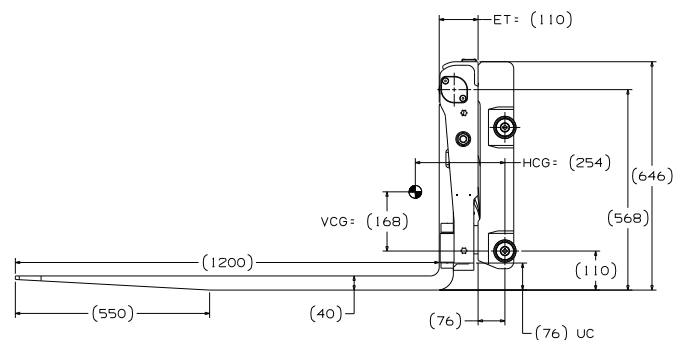
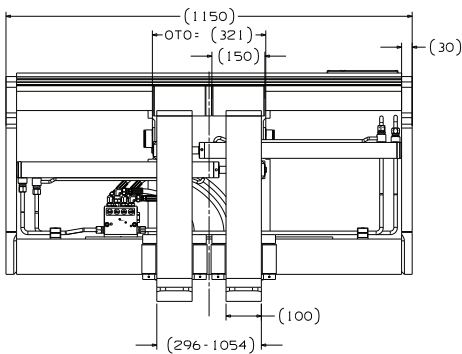
APPLICATIONS

The 20A Fork Positioner was developed to facilitate sideshifting pallets all the way to one side of the fork positioner. It is suitable for any application where special fork positions are required to handle loads near the outside edges of the frame

FEATURES

- Ability to position both forks over center to one side or the other to handle pallets on the very edge of the Fork Positioner.

- Integral mounting provides low effective thickness resulting in high residual capacity, ITA mounting is also available.
- Pin-Mounted forks provide smooth, quiet fork positioning.
- Excellent operator visibility through and around the frame.
- Ability to sideshift 800 mm wide pallets up to 51 mm outside of the frame.
- Ability to sideshift 800 mm wide pallets up to 72 mm outside the frame with 1050 mm frames.
- Fork spacer ring to prevent forks from colliding, allowing for smooth, quiet operation.



Catalogue Order No.	Capacity@ Load Centre kg@mm	Frame Width (mm)	Opening Range (mm)	Fork Size (mm) LxWxT	Effective Thickness ET (mm)	Horizontal Centre of Gravity HCG (mm)	Vertical Centre of Gravity VCG (mm)	Weight kg	Mounting Class ISO 2328
20A84259	2000@500	1150	296-1054	1200x100x40	110	254	168	268	2A