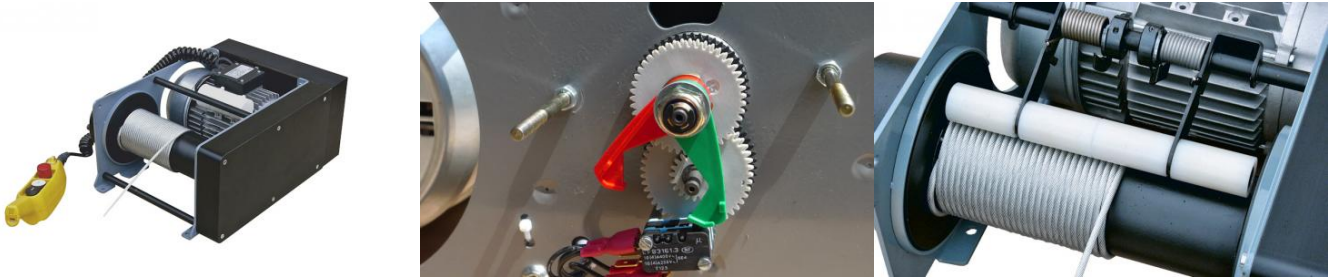


PRIMO 300 kg - Low voltage control, single phase



Electric winch 300 kg. Economical range subject to the same quality standard as the TRBoxter range.

Use:

- Simple lifting and pulling/hauling operations
- Intermediate operating factor
- Boat hauling
- Lifting doors, hatches...
- Freight lifts
- Traps opening
- Theatre applications
- Swimming pool roofs...

Comply with Directive Machines 2006/42/EC and standard NF E N 14492-1.

Technical properties

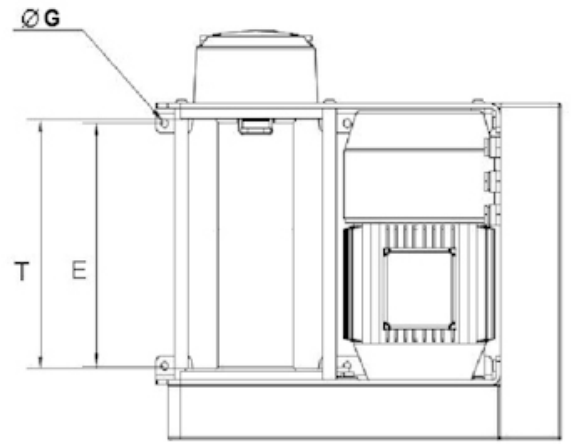
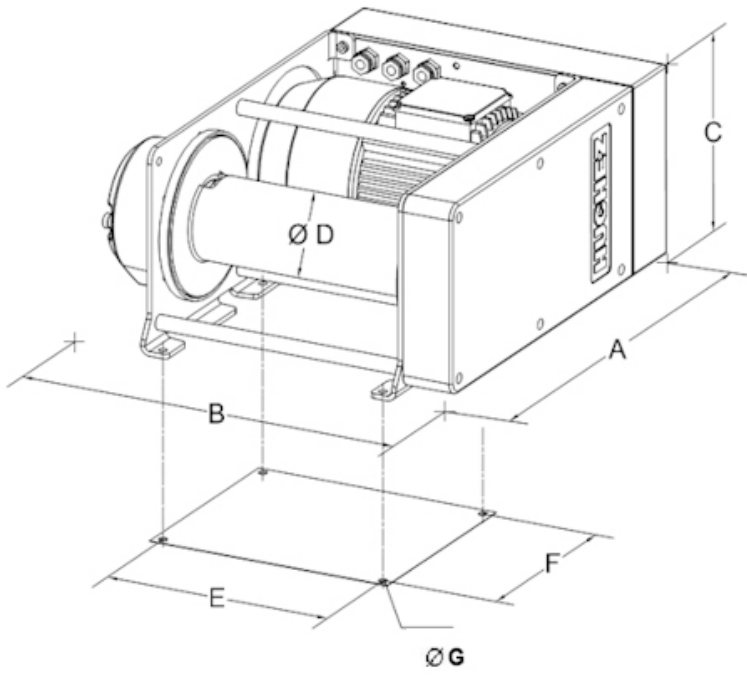
- Steel rigid structure.
- Mechanical welded steel drum with flanges allowing a secure fastening of the wire rope.
- Mechanical parts machined and protected by cathodolysis.
- Single phase 230 V motor brake with permanent capacitor - 50 Hz lifting type. P = 0.75 kW. Class F. IP 54 Protection.
- Low voltage control assuring user protection against electric risks.
- Up-down pendant control with emergency stop, cable 3 m long.
- Reducer in oil bath with helical gears.
- Limit switch as standard, very easy to adjust and extremely reliable, made specially by HUCHEZ.
- Options: rope-press roller and grooved drum.

Technical characteristics of PRIMO 300 kg - Low voltage control, single phase

Capacity 1st layer kg	360
Capacity top layer kg	300
Nb of layers	3
Wire rope cap. 1st layer m	13
Wire rope cap. top layer m	48
Wire rope Ø mm	5
Fixed speed 1st layer m/min	7.5
Fixed speed top layer m/min	9.1
FEM	1Bm
Motor kW	0.75
Power	1Ph-230V
Weight (without wire rope) kg	35

Dimensions

A mm	476
B mm	422
C mm	216
D mm	Ø 89
E mm	250
F mm	214
G mm	Ø 9
T mm	257



Technical characteristics of the other models of the range

References	PRIMO301CD8	PRIMO301BT8	PRIMO303CD8	PRIMO303BT8	PRIMO501CD9
Capacity 1st layer kg	360	360	360	360	630
Capacity top layer kg	300	300	300	300	500
Nb of layers	3	3	3	3	3
Wire rope cap. 1st layer m	13	13	13	13	10
Wire rope cap. top layer m	48	48	48	48	38
Wire rope Ø mm	5	5	5	5	7
Fixed speed 1st layer m/min	7.5	7.5	7.5	7.5	8.6
Fixed speed top layer m/min	9.1	9.1	9.1	9.1	11
FEM	1Bm	1Bm	1Bm	1Bm	1Cm
Motor kW	0.75	0.75	0.75	0.75	1Ph-230V
Power	1Ph-230V	1Ph-230V	3Ph-230/400V	3Ph-230/400V	1.1
Weight (without wire rope) kg	35	35	35	35	40

References	PRIMO501BT9	PRIMO503CD9	PRIMO503BT9	PRIMO1001CD4	PRIMO1001BT4
Capacity 1st layer kg	630	630	630	990	1300
Capacity top layer kg	500	500	500	990	1000
Nb of layers	3	3	3	4	4
Wire rope cap. 1st layer m	10	10	10	17	17
Wire rope cap. top layer m	38	38	38	86	86
Wire rope Ø mm	7	7	7	8	8
Fixed speed 1st layer m/min	8.6	8.6	8.6	4	4
Fixed speed top layer m/min	11	11	11	5.2	5.2
FEM	1Cm	1Cm	1Cm	1Bm	1Bm
Motor kW	1.1	1.1	1.1	1.1	1.1
Power	1Ph-230V	3Ph-230/400V	3Ph-230/400V	1Ph-230V	1Ph-230V
Weight (without wire rope) kg	40	40	40	150	152

References	PRIMO1003BT4	PRIMO2003BT4
Capacity 1st layer kg	1300	2500
Capacity top layer kg	1000	2000
Nb of layers	4	3
Wire rope cap. 1st layer m	17	12
Wire rope cap. top layer m	86	45
Wire rope Ø mm	8	11.5
Fixed speed 1st layer m/min	4	4
Fixed speed top layer m/min	5.2	5.2
FEM	1Bm	1Cm
Motor kW	1.1	2.2
Power	3Ph-230/400V	3Ph-230/400V
Weight (without wire rope) kg	152	160



HUCHEZ's advice

Economical range subject to the same quality standards as the TRBoxter range.



HUCHEZ
9, Grande Rue
60420 FERRIERES – France
☎ +33 (0) 3 44 51 11 33
Site internet : www.huchez.com
E-mail : contact@huchez.fr



SERVICE
CLIENTS

Pour en savoir plus, n'hésitez pas à nous contacter !
To know more, please contact us!