

TE 900 kg - 22 m/min, low voltage control with frequency inverter



Electric winch 900 kg. Range of electric winches with a large winding capacity allowing them to address a wide range of uses. For lifting applications only.

Use:

- Lifting applications only
- Industry
- Building and public works
- High-rise building sites
- Load elevators

Comply with Machines directive 2006/42/EC and standard NF 14492-1.

Technical properties

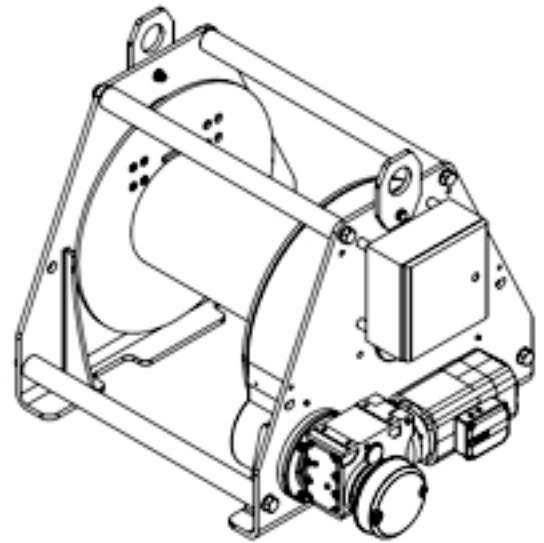
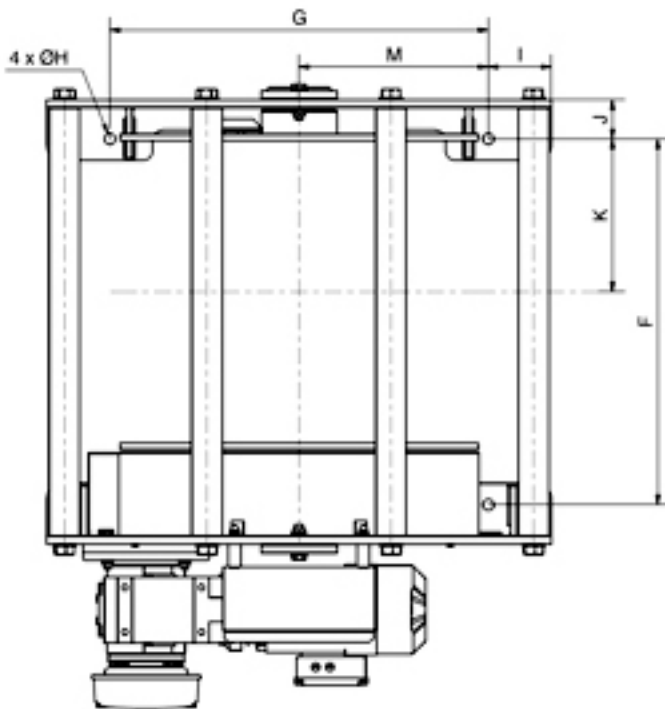
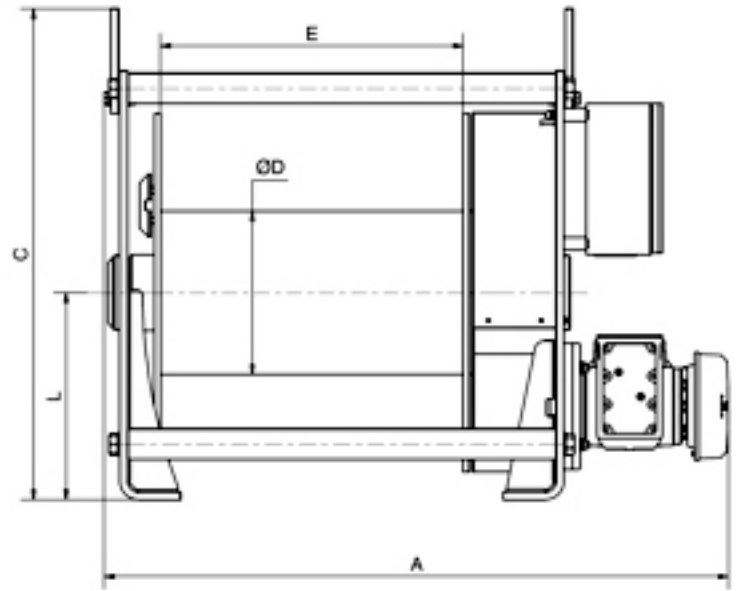
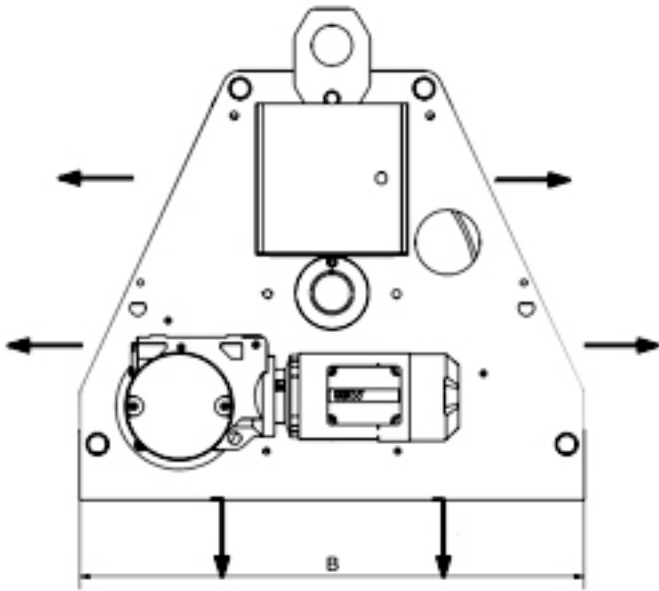
- Rugged and reliable parts.
- Wall mounting possibility.
- 230/400 V - 50 Hz three-phase motor. IP 54 Protection . P = 5,5 kW.
- Low voltage control protects the user from electrical risks. It makes it possible to operate a wide range of options: from limit switch to radio control, including a load limiter and a rope slack switch...
- Reliable electric and electronic components.
- Limit switch obligatory when lifting.
- Sealed electrical unit on the winch model with frequency inverter consisting on: frequency inverter, braking resistance, not disconnectable pendant control with potentiometer (3 m of cable).
- Adjustable speed from 10 % to 100 % with potentiometer.
- Acceleration and deceleration programming tables. According to use, speed programming.
- Reducers : bronze wheel and wormgear in oil bath. Secondary reducer for gears under cover.
- Standard drum length: 600 mm. Other length of drum possible for this model: 300 mm (optional).
- Numerous rope outlets.
- Options available: rope-press roller, grooved drum, multirope grooved drum, special paint, phases detector, lower chassis, chassis for telescopic arm loaders, tubular protection, timer, tarpauline cover...

Technical characteristics of TE 900 kg - 22 m/min, low voltage control with frequency inverter

References	TE900S22VV
Capacity 1st layer kg	1165
Capacity top layer kg	900
Nb of layers	5
Wire rope cap. 1st layer m	48
Wire rope cap. top layer m	280
Wire rope Ø mm	8
Adjustable speed 1st layer m/min	1,7-17,5
Adjustable speed top layer m/min	2,2-22
FEM	2m
Motor kW	5,5
Power	3Ph-230/400 V
Weight (without wire rope) kg	220

Dimensions

References	TE900S22VV
A mm	1088
B mm	720
C mm	545
D mm	Ø 203
E mm	600
F mm	665
G mm	570
I mm	75
J mm	50
K mm	310
L mm	235



Technical characteristics of the other models of the range

References	TE600S10BT	TE600S10VV	TE600S16BT	TE600S16VV	TE600S22BT
Capacity 1st layer kg	755	755	755	755	755
Capacity top layer kg	600	600	600	600	600
Nb of layers	5	5	5	5	5
Wire rope cap. 1st layer m	56	56	56	56	56
Wire rope cap. top layer m	325	325	325	325	325
Wire rope Ø mm	7	7	7	7	7
Fixed speed 1st layer m/min	8,5		13		17,5
Fixed speed top layer m/min	10		16		22
Adjustable speed 1st layer m/min		0,8-8,5		1,3-13	
Adjustable speed top layer m/min		1-10		1,6-16	
FEM	2m	2m	2m	2m	2m
Motor kW	2,2	2,2	3	3	4
Power	3Ph-230/400 V	1Ph-230 V or 3Ph-230/400 V	3Ph-230/400 V	3Ph-230/400 V	3Ph-230/400 V
Weight (without wire rope) kg	215	215	220	220	220

References	TE600S22VV	TE900S8BT	TE900S8VV	TE900S11BT	TE900S11VV
Capacity 1st layer kg	755	1165	1165	1165	1165
Capacity top layer kg	600	900	900	900	900
Nb of layers	5	5	5	5	5
Wire rope cap. 1st layer m	56	48	48	48	48
Wire rope cap. top layer m	325	280	280	280	280
Wire rope Ø mm	7	8	8	8	8
Fixed speed 1st layer m/min		6,5		8,5	
Fixed speed top layer m/min		8		11	
Adjustable speed 1st layer m/min	1,7-17,5		0,6-6,5		0,8-8,5
Adjustable speed top layer m/min	2,2-22		0,8-8		1,1-11
FEM	2m	2m	2m	2m	2m
Motor kW	4	2,2	2,2	3	3
Power	3Ph-230/400 V	3Ph-230/400 V	1Ph-230 V or 3Ph-230/400 V	3Ph-230/400 V	3Ph-230/400 V
Weight (without wire rope) kg	220	215	215	220	220

References	TE900S22BT	TE900S22VV	TE1000S6BT	TE1000S6VV	TE1000S13BT
Capacity 1st layer kg	1165	1165	1300	1300	1300
Capacity top layer kg	900	900	1000	1000	1000
Nb of layers	5	5	5	5	5
Wire rope cap. 1st layer m	48	48	48	48	48
Wire rope cap. top layer m	280	280	280	280	280
Wire rope Ø mm	8	8	8	8	8
Fixed speed 1st layer m/min	17,5		5		10,5
Fixed speed top layer m/min	22		6		13
Adjustable speed 1st layer m/min		1,7-17,5		0,5-5	
Adjustable speed top layer m/min		2,2-22		0,6-6	
FEM	2m	2m	2m	2m	2m
Motor kW	5,5	5,5	2,2	2,2	4

Power	3Ph-230/400 V	3Ph-230/400 V	3Ph-230/400 V	1Ph-230 V or 3Ph-230/400 V	3Ph-230/400 V
Weight (without wire rope) kg	220	220	215	215	220

References	TE1000S13VV	TE1300S5BT	TE1300S14BT	TE1300S14VV	TE1600S5BT
Capacity 1st layer kg	1300	1710	1710	1710	2110
Capacity top layer kg	1000	1300	1300	1300	1600
Nb of layers	5	4	4	4	4
Wire rope cap. 1st layer m	48	33	33	33	33
Wire rope cap. top layer m	280	160	160	160	160
Wire rope Ø mm	8	11,5	11,5	11,5	11,5
Fixed speed 1st layer m/min		4	10,5		3,5
Fixed speed top layer m/min		5	14		5
Adjustable speed 1st layer m/min	1-10,5			1-10,5	
Adjustable speed top layer m/min	1,4-14			1,4-14	
FEM	2m	2m	2m	2m	2m
Motor kW	4	2,2	5,5	5,5	2,2
Power	3Ph-230/400 V	3Ph-230/400 V	3Ph-230/400 V	3Ph-230/400 V	3Ph-230/400 V
Weight (without wire rope) kg	220	215	220	220	215

References	TE1600S11BT	TE1600S11VV	TE2000S5BT	TE2000S11BT	TE2000S11VV
Capacity 1st layer kg	2110	2110	2410	2410	2410
Capacity top layer kg	1600	1600	2000	2000	2000
Nb of layers	4	4	4	4	4
Wire rope cap. 1st layer m	33	33	52	52	52
Wire rope cap. top layer m	160	160	235	235	235
Wire rope Ø mm	11,5	11,5	11,5	11,5	11,5
Fixed speed 1st layer m/min	8,5		4	9,5	
Fixed speed top layer m/min	11		5	11	
Adjustable speed 1st layer m/min		0,9-9			1-10
Adjustable speed top layer m/min		1,2-12			1,2-12
FEM	2m	2m	2m	2m	2m
Motor kW	5,5	5,5	2,2	4	4
Power	3Ph-230/400 V	3Ph-230/400 V	3Ph-230/400 V	3Ph-230/400 V	3Ph-230/400 V
Weight (without wire rope) kg	220	220	670	700	700

References	TE2600S4BT	TE2600S4VV	TE2600S8BT	TE2600S8VV	TE3300S4BT
Capacity 1st layer kg	3200	3200	3200	3200	4220
Capacity top layer kg	2600	2600	2600	2600	3300
Nb of layers	4	4	4	4	4
Wire rope cap. 1st layer m	46	46	46	46	37
Wire rope cap. top layer m	215	215	215	215	180
Wire rope Ø mm	13	13	13	13	15,8
Fixed speed 1st layer m/min	3,5		7		2,5
Fixed speed top layer m/min	4		9		4
Adjustable speed 1st layer m/min		0,4-4		0,7-7	

Adjustable speed top layer m/min		0,5-5		0,9-9	
FEM	2m	2m	2m	2m	2m
Motor kW	2,2	2,2	4	4	2,2
Power	3Ph-230/400 V	1Ph-230 V or 3Ph-230/400 V	3Ph-230/400 V	3Ph-230/400 V	3Ph-230/400 V
Weight (without wire rope) kg	670	670	695	700	680

References	TE3300S7VV	TE3300S4VV	TE3300S7BT	TE5000S2BT	TE5000S2VV
Capacity 1st layer kg	4220	4220	4220	6575	6575
Capacity top layer kg	3300	3300	3300	5000	5000
Nb of layers	4	4	4	4	4
Wire rope cap. 1st layer m	37	37	37	33	33
Wire rope cap. top layer m	180	180	180	160	160
Wire rope Ø mm	15,8	15,8	15,8	18	18
Fixed speed 1st layer m/min			5,5	1,5	
Fixed speed top layer m/min			7	2	
Adjustable speed 1st layer m/min	0,6-6	0,3-3			0,1-1,5
Adjustable speed top layer m/min	0,7-7	0,4-4			0,2-2
FEM	2m	2m	2m	2m	2m
Motor kW	4	2,2	4	2,2	2,2
Power	3Ph-230/400 V	1Ph-230 V or 3Ph-230/400 V	3Ph-230/400 V	3Ph-230/400 V	1Ph-230 V or 3Ph-230/400 V
Weight (without wire rope) kg	700	680	700	710	710

References	TE5000S4BT	TE5000S4VV	TE5000S10BT	TE5000S10VV	TE7500S4BT
Capacity 1st layer kg	6575	6575	6575	6575	9875
Capacity top layer kg	5000	5000	5000	5000	7500
Nb of layers	4	4	4	4	4
Wire rope cap. 1st layer m	33	33	33	33	44
Wire rope cap. top layer m	160	160	160	160	215
Wire rope Ø mm	18	18	18	18	22
Fixed speed 1st layer m/min	3		7,5		3
Fixed speed top layer m/min	4		10		4
Adjustable speed 1st layer m/min		0,3-3		0,7-7,5	
Adjustable speed top layer m/min		0,4-4		1-10	
FEM	2m	2m	2m	2m	2m
Motor kW	4	4	11	11	5,5
Power	3Ph-230/400 V	3Ph-230/400 V	3Ph-400/690 V	3Ph- 400 V	3Ph-230/400 V
Weight (without wire rope) kg	730	730	815	815	1250

References	TE7500S4VV	TE10000S6BT	TE10000S6VV
Capacity 1st layer kg	9875	14230	14230
Capacity top layer kg	7500	10000	10000
Nb of layers	4	5	5
Wire rope cap. 1st layer m	44	40	40
Wire rope cap. top layer m	215	265	265

Wire rope Ø mm	22	24	24
Fixed speed 1st layer m/min		4	
Fixed speed top layer m/min		6	
Adjustable speed 1st layer m/min	0,3-3		0,4-4,2
Adjustable speed top layer m/min	0,4-4		0,6-6
FEM	2m	1Bm	1Bm
Motor kW	5,5	11	11
Power	3Ph-230/400 V	3Ph-400/690 V	3Ph- 400 V
Weight (without wire rope) kg	1250	1950	1950



HUCHEZ's advice

Large winding capacity, robustness, numerous rope outlets possibilities and options. The modular design of the TE-Serie allows easy and economical adaptation to your specific needs: drum length on request, rope slack switch and rope-press roller easily adjustable.



HUCHEZ
 9, Grande Rue
 60420 FERRIERES – France
 ☎ +33 (0) 3 44 51 11 33
 Site internet : www.huchez.com
 E-mail : contact@huchez.fr



**SERVICE
 CLIENTS**

Pour en savoir plus, n'hésitez pas à nous contacter !
To know more, please contact us!

