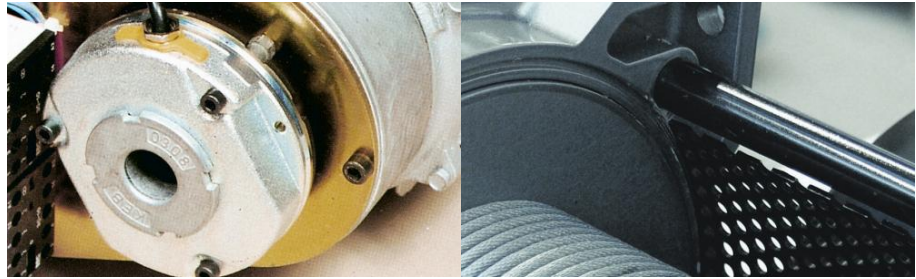


## TRBoxter 800 kg - 18 m/min, low voltage control with 1 speed



Compact electric winch 800 kg. Range of multifunctional electric winch offering many rope attachments, rope outlets and options.

Use:

- Lifting and hauling/pulling operations
- High operating factor
- Industry
- Building and public works
- Integration into many types of devices, cranes...
- Pulling carriages or wagons with a two-way system
- Installation and extraction of parts in ovens
- Hanging chandeliers
- Boat haulage
- Doors lifting, traps opening
- Material lifts
- Stage industry
- Swimming pool roofs...

Comply with Machines Directive 2006/42/EC and standard NF E N 14492-1.

### Technical properties

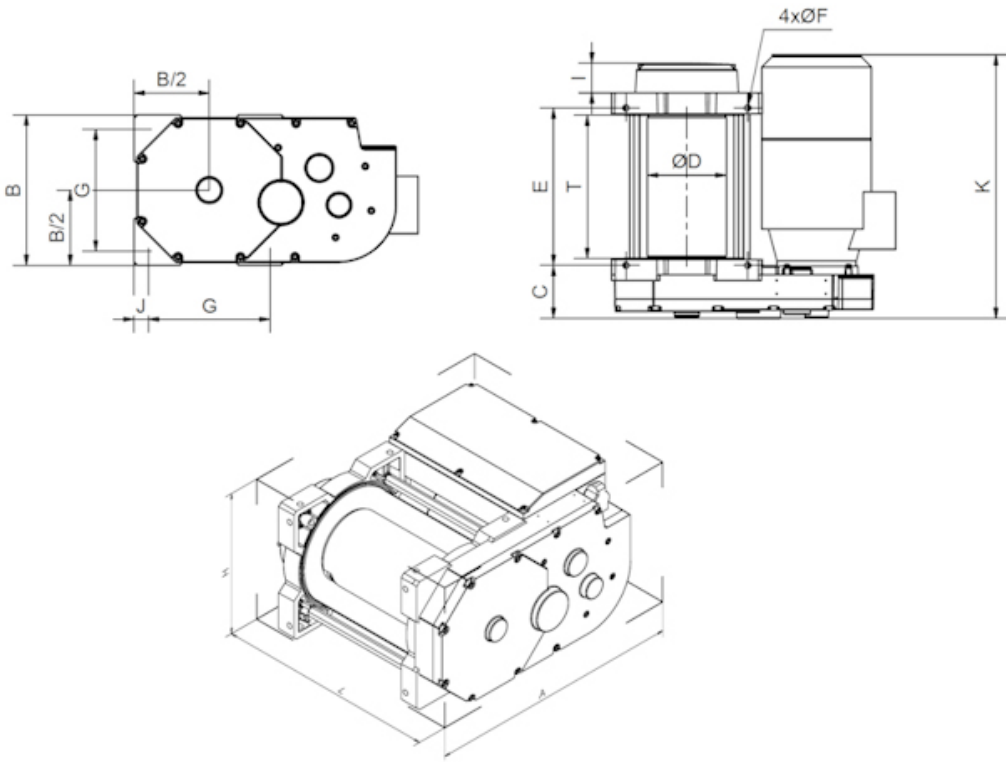
- Welded steel drum protected by perforate plate, adjustable according to the outlet of the rope. Large flanges for a large rope capacity.
- Reliable and very safe cable clamp. Caged nut for winch multi-position fixing.
- Aluminium casing.
- Robust and compact, it benefits of a high operating factor.
- Asynchronous, three phase motor 230/400 V - 50 Hz. P = 4 kW.
- The low voltage control protects the user from electrical risks. It makes it possible to operate a wide range of options: from limit switch to radio control, including a load limiter and a rope slack switch...
- Reliable electronic and electric components.
- Very low voltage, 24 V remote control with socket, IP 65 protection.
- Limit switch obligatory when lifting.
- 24 V direct current electromagnetic brake.
- Electrical equipment under sealed cover.
- Reducer sealed in oil bath with helical gears.
- Fixation points identical to the TRB model allowing old TRB to be replaced.
- Lengthened drum models: standard length of drum and drum capacity x 1,5.
- Available options: rope press-roller, grooved drum, specific paint, chassis, drum length on request, rain cover, timer, tarpauline cover...

## Technical characteristics of TRBoxter 800 kg - 18 m/min, low voltage control with 1 speed

References	TRBOXTER803BT17
Capacity 1st layer kg	950
Capacity top layer kg	800
Nb of layers	3
Wire rope cap. 1st layer m	16,5
Wire rope cap. top layer m	59
Wire rope Ø mm	8
Fixed speed 1st layer m/min	15
Fixed speed top layer m/min	17,8
FEM	1Bm
Motor kW	4
Power	3Ph-230/400V
Weight (without wire rope) kg	107

## Dimensions

References	TRBOXTER803BT17
A mm	558
B mm	304
C mm	107,5
D mm	Ø 159
E mm	318
F mm	Ø 12,5
L (with limit switch) mm	533
L (without limit switch) mm	533
G mm	246
H mm	332,5
I mm	62
J mm	29
K mm	495,5
M mm	152
N mm	152
T mm	290



## Technical characteristics of the other models of the range

References	TRBOXTER250BT9	TRBOXTER250BT14	TRBOXTER250BT21	TRBOXTER503BT4	TRBOXTER350BT9
Capacity 1st layer kg	290	290	290	600	400
Capacity top layer kg	250	250	250	500	350
Nb of layers	3	3	3	3	3
Wire rope cap. 1st layer m	16	16	16	12	16
Wire rope cap. top layer m	56	56	56	42	56
Wire rope Ø mm	5	5	5	7	5
Fixed speed 1st layer m/min	8,1	13,3	19,8	4	8,1
Fixed speed top layer m/min	9,4	15,4	23	4,9	9,4
FEM	1Am	1Am	1Am	1Bm	1Bm
Motor kW	0,75	0,75	1,1	0,75	0,75
Power	1Ph-230V ou 3Ph-230/400 V	1Ph-230V or 3Ph-230/400 V	1Ph-230V or 3Ph-230/400 V	3Ph-230/400V	1Ph-230V or 3Ph-230/400V
Weight (without wire rope) kg	49	49	51	49	49

References	TRBOXTER350BT14	TRBOXTER353BT26	TRBOXTER503BT11	TRBOXTER503BT21	TRBOXTER600BT5
Capacity 1st layer kg	400	400	600	600	750
Capacity top layer kg	350	350	500	500	600
Nb of layers	3	3	3	3	4
Wire rope cap. 1st layer m	16	16	12	12	19
Wire rope cap. top layer m	56	56	42	42	93
Wire rope Ø mm	5	5	7	7	7
Fixed speed 1st layer m/min	13,3	25,7	10	20	4,8
Fixed speed top layer m/min	15,4	29,8	12,2	24,2	6
FEM	1Bm	1Bm	1Bm	1Bm	1Am
Motor kW	1,1	2,2	1,1	2,2	0,75
Power	1Ph-230V or 3Ph-230/400V	3Ph-230/400V	1Ph-230V or 3Ph-230/400V	3Ph-230/400V	1Ph-230V or 3Ph-230/400V
Weight (without wire rope) kg	51	59	51	59	88

References	TRBOXTER603BT10	TRBOXTER603BT15	TRBOXTER603BT20	TRBOXTER603BT30	TRBOXTER800BT5
Capacity 1st layer kg	750	750	750	750	950
Capacity top layer kg	600	600	600	600	800
Nb of layers	4	4	4	4	3
Wire rope cap. 1st layer m	19	19	19	19	16,5
Wire rope cap. top layer m	93	93	93	93	59
Wire rope Ø mm	7	7	7	7	8
Fixed speed 1st layer m/min	8,8	14,9	17,9	25,5	4,3
Fixed speed top layer m/min	11	18,6	22,5	31,9	5,2
FEM	1Am	1Am	1Am	1Am	1Ph-230V or 3Ph-230/400V
Motor kW	1,5	2,2	3	4	1Bm
Power	3Ph-230/400V	3Ph-230/400V	3Ph-230/400V	3Ph-230/400V	1,1
Weight (without wire rope) kg	101	100	104	107	92

References	TRBOXTER803BT10	TRBOXTER803BT13	TRBOXTER803BT17	TRBOXTER990BT5	TRBOXTER993BT10
Capacity 1st layer kg	950	950	<b>950</b>	1200	1100
Capacity top layer kg	800	800	<b>800</b>	990	990
Nb of layers	3	3	<b>3</b>	3	2
Wire rope cap. 1st layer m	16,5	16,5	<b>16,5</b>	14,5	14,5
Wire rope cap. top layer m	59	59	<b>59</b>	53	34
Wire rope Ø mm	8	8	<b>8</b>	9	9
Fixed speed 1st layer m/min	8,7	12	<b>15</b>	4,4	8,7
Fixed speed top layer m/min	10,3	14,3	<b>17,8</b>	5,3	10,6
FEM	1Bm	1Bm	<b>1Bm</b>	1Bm	1Bm
Motor kW	2,2	3	<b>4</b>	1,1	2,2
Power	3Ph-230/400V	3Ph-230/400V	<b>3Ph-230/400V</b>	1Ph-230V or 3Ph-230/400V	3Ph-230/400V
Weight (without wire rope) kg	100	104	<b>107</b>	92	100

References	TRBOXTER993BT13	TRBOXTER993BT17	TRBOXTER1503BT4	TRBOXTER1503BT9
Capacity 1st layer kg	990	990	1500	1500
Capacity top layer kg	990	990	1500	1500
Nb of layers	1	1	1	1
Wire rope cap. 1st layer m	14,5	14,5	11,5	11,5
Wire rope cap. top layer m	14,5	14,5	11,5	11,5
Wire rope Ø mm	9	9	11,5	11,5
Fixed speed 1st layer m/min	12,1	15,1	4,4	8,8
Fixed speed top layer m/min	12,1	15,1	4,4	8,8
FEM	1Bm	1Cm	1Bm	3Ph-230/400V
Motor kW	3	4	1,5	1Cm
Power	3Ph-230/400V	3Ph-230/400V	3Ph-230/400V	3
Weight (without wire rope) kg	104	108	101	104



### HUCHEZ's advice

Fixation points identical to the TRB model allowing old TRB to be replaced, many rope attachments, rope outlets and options.



HUCHEZ  
9, Grande Rue  
60420 FERRIERES – France  
☎ +33 (0) 3 44 51 11 33  
Site internet : [www.huchez.com](http://www.huchez.com)  
E-mail : [contact@huchez.fr](mailto:contact@huchez.fr)



SERVICE  
CLIENTS

Pour en savoir plus, n'hésitez pas à nous contacter !  
*To know more, please contact us!*