

## INDUSTRIA 1 t - 10 m/min, low voltage control with 1 speed



Electric winch 1000 kg. Range of electric winches initially designed to satisfy the needs of the industrial sector.

Use:

- All lifting or pulling/hauling applications
- Industry
- Building and public works
- Integration into cranes...
- Pulling/hauling of heavy loads
- Conveyor belt tensioning
- Opening hatches
- Lifting sluice gates
- Stage industry...

Comply with Machines Directive 2006/42/EC and standard NF 14492-1.

### Technical properties

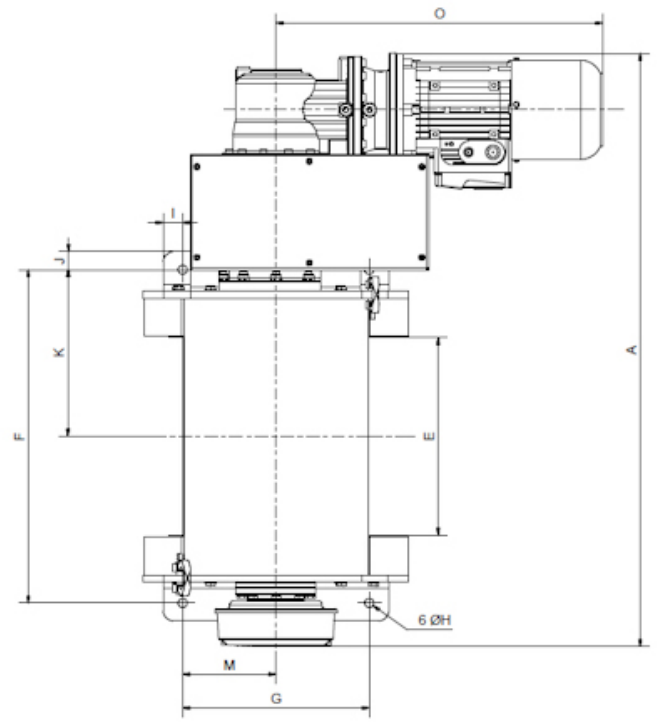
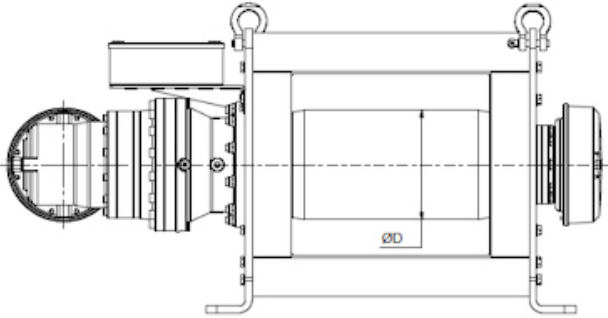
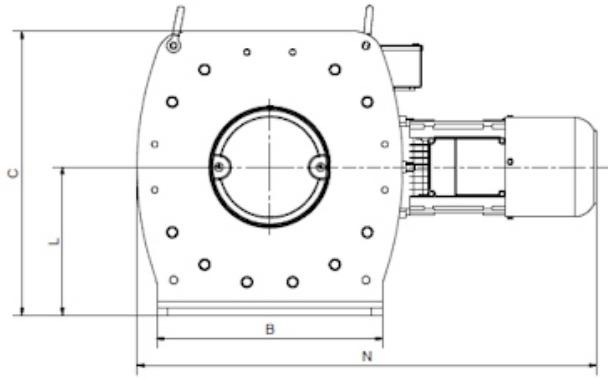
- Robust and highly compact.
- Vertical mounting possible.
- 230/400 V - 50 Hz three-phase brake motor. IP 55 Protection. Other voltage or frequencies optional. P = 2,2 kW.
- Motor position: horizontal (possibility of vertical on request).
- The low voltage control protects the user from electrical risks. It makes it possible to operate a wide range of options: from limit switch to radio control, including a load limiter and a rope slack switch...
- The tie-rods are mobile according to the rope outlet.
- Anti-escape system for the rope.
- Reduced space between the tie-rod and the drum.
- Rope-press roller and rope slack switch incorporated under the upper tie-rod (incorporation into the tie-rod as an option).
- Reliable electric and electronic components.
- Limit switch obligatory when lifting and from 1000 kg, load limiter.
- Sealed electrical unit on the winch consisting on: contactors, 24 V transformers, thermal circuit breaker, disconnectable pendant control with 3 m of cable.
- Reduced-maintenance planetary reduction gears.
- Numerous rope outlet possibilities.
- Options available: rope-press roller, grooved drum, specific paint, drum length on request, phases detector, lower chassis, timer, tarpauline cover...

## Technical characteristics of INDUSTRIA 1 t - 10 m/min, low voltage control with 1 speed

References	INDUSTRIA1T10BT
Capacity 1st layer kg	1255
Capacity top layer kg	1000
Nb of layers	3
Wire rope cap. 1st layer m	17
Wire rope cap. top layer m	60
Wire rope Ø mm	8
Fixed speed 1st layer m/min	8.5
Fixed speed top layer m/min	10.5
FEM	1Am
Motor kW	2,2
Power	3Ph-230/400V
Weight (without wire rope) kg	150

## Dimensions

References	INDUSTRIA1T10BT
A mm	911
B mm	290
C mm	375
D mm	Ø 125
E mm	350
F mm	525
G mm	240
H mm	Ø 12
I mm	25
J mm	23
K mm	263
M mm	120
N mm	748
O mm	578



## Technical characteristics of the other models of the range

References	INDUSTRIA1T05VV	INDUSTRIA1T05VV	INDUSTRIA1T10BT	INDUSTRIA1T10VV	INDUSTRIA2T05BT
Capacity 1st layer kg	1255	1255	<b>1255</b>	1255	2420
Capacity top layer kg	1000	1000	<b>1000</b>	1000	2000
Nb of layers	3	3	<b>3</b>	3	3
Wire rope cap. 1st layer m	17	17	<b>17</b>	17	20
Wire rope cap. top layer m	60	60	<b>60</b>	60	71
Wire rope Ø mm	8	8	<b>8</b>	8	11,5
Fixed speed 1st layer m/min	4		<b>8,5</b>		4,5
Fixed speed top layer m/min	5		<b>10,5</b>		5,5
Adjustable speed 1st layer m/min		0,4-4		0,8-8,5	
Adjustable speed top layer m/min		0,5-5		1-10,5	
FEM	1Am	1Am	<b>1Am</b>	1Am	1Am
Motor kW	1,1	1,1	<b>2,2</b>	2,2	2,2
Power	3Ph-230/400V	1Ph-230 V ou 3Ph-230/400V	<b>3Ph-230/400V</b>	1Ph-230 V or 3Ph-230/400V	3 Ph-230/400 V
Weight (without wire rope) kg	140	150	<b>150</b>	155	260

References	INDUSTRIA2T05VV	INDUSTRIA2T09BT	INDUSTRIA2T09VV	INDUSTRIA3T03BT	INDUSTRIA3T03VV
Capacity 1st layer kg	2420	2420	2420	3765	3765
Capacity top layer kg	2000	2000	2000	3000	3000
Nb of layers	3	3	3	3	3
Wire rope cap. 1st layer m	20	20	20	16	16
Wire rope cap. top layer m	71	71	71	59	59
Wire rope Ø mm	11,5	11,5	11,5	14	14
Fixed speed 1st layer m/min		8		2,5	
Fixed speed top layer m/min		9,5		3,5	
Adjustable speed 1st layer m/min	0,4-4,5		0,8-8		0,2-2,5
Adjustable speed top layer m/min	0,5-5,5		0,9-9,5		0,3-3,5
FEM	1Am	1Am	1Am	1Am	1Am
Motor kW	2,2	4	4	2,2	2,2
Power	1Ph-230 V or 3Ph-230/400V	3Ph-230/400V	3Ph-230/400V	3Ph-230/400V	1Ph-230 V or 3Ph-230/400V
Weight (without wire rope) kg	270	260	300	260	270

References	INDUSTRIA3T06BT	INDUSTRIA3T06VV	INDUSTRIA4T02BT	INDUSTRIA4T02VV	INDUSTRIA4T05BT
Capacity 1st layer kg	3765	3765	4985	4985	4985
Capacity top layer kg	3000	3000	4000	4000	4000
Nb of layers	3	3	3	3	3
Wire rope cap. 1st layer m	16	16	16	16	16
Wire rope cap. top layer m	59	59	60	60	60
Wire rope Ø mm	14	14	18	18	18
Fixed speed 1st layer m/min	4,5		2		3,5
Fixed speed top layer m/min	5,5		2,5		4,5
Adjustable speed 1st layer m/min		0,4-4,5		0,2-2	
Adjustable speed top layer m/min		0,5-5,5		0,3-2,5	
FEM	1Am	1Am	1Am	1Am	1Am
Motor kW	4	4	2,2	2,2	4

Power	3Ph-230/400V	3Ph-230/400V	3Ph-230/400V	1Ph-230 V or 3Ph-230/400V	3Ph-230/400V
Weight (without wire rope) kg	280	300	440	450	470

References	INDUSTRIA4T05VV	INDUSTRIA5T03BT	INDUSTRIA5T03VV	INDUSTRIA5T07BT	INDUSTRIA5T07VV
Capacity 1st layer kg	4985	6230	6230	6230	6230
Capacity top layer kg	4000	5000	5000	5000	5000
Nb of layers	3	3	3	3	3
Wire rope cap. 1st layer m	16	16	16	16	16
Wire rope cap. top layer m	60	60	60	60	60
Wire rope Ø mm	18	18	18	18	18
Fixed speed 1st layer m/min		2,5		6	
Fixed speed top layer m/min		3		7,5	
Adjustable speed 1st layer m/min	0,3-3,5		0,2-2,5		0,6-6
Adjustable speed top layer m/min	0,4-4,5		0,3-3		0,7-7,5
FEM	1Am	1Am	1Am	1Am	1Am
Motor kW	4	3	3	9,2	9,2
Power	3Ph-230/400V	3Ph- 230/400 V	3Ph-230/400V	3Ph-230/400V	3Ph-230/400V
Weight (without wire rope) kg	500	450	480	530	540

References	INDUSTRIA6T02BT	INDUSTRIA6T02VV	INDUSTRIA6T06BT	INDUSTRIA6T06VV	INDUSTRIA7T02BT
Capacity 1st layer kg	7480	7480	7480	7480	8725
Capacity top layer kg	6000	6000	6000	6000	7000
Nb of layers	3	3	3	3	3
Wire rope cap. 1st layer m	16	16	16	16	15
Wire rope cap. top layer m	60	60	60	60	60
Wire rope Ø mm	20	20	20	20	22
Fixed speed 1st layer m/min	1,5		5		1,5
Fixed speed top layer m/min	2		6		2
Adjustable speed 1st layer m/min		0,1-1,5		0,5-5,5	
Adjustable speed top layer m/min		0,2-2		0,6-6	
FEM	1Am	1Am	1Am	1Am	1Am
Motor kW	3	3	9,2	9,2	3
Power	3Ph-230/400V	3Ph-230/400V	3Ph-230/400V	3Ph-230/400V	3Ph-230/400V
Weight (without wire rope) kg	580	610	660	670	840

References	INDUSTRIA7T02VV	INDUSTRIA7T06BT	INDUSTRIA7T06VV	INDUSTRIA8T02BT	INDUSTRIA8T02VV
Capacity 1st layer kg	8725	8725	8725	9975	9975
Capacity top layer kg	7000	7000	7000	8000	8000
Nb of layers	3	3	3	3	3
Wire rope cap. 1st layer m	15	15	15	15	15
Wire rope cap. top layer m	60	60	60	60	60
Wire rope Ø mm	22	22	22	22	22
Fixed speed 1st layer m/min		4,5		2	
Fixed speed top layer m/min		5,5		2,5	
Adjustable speed 1st layer m/min	0,1-1,5		0,4-4,5		0,2-2

Adjustable speed top layer m/min	0,2-2		0,5-5,5		0,3-3,5
FEM	1Am	1Am	1Am	1Am	1Am
Motor kW	3	9,2	9,2	4	4
Power	3Ph-230/400V	3Ph-230/400V	3Ph-230/400V	3Ph-230/400V	3Ph-230/400V
Weight (without wire rope) kg	870	910	920	850	880

References	INDUSTRIA8T05BT	INDUSTRIA8T05VV	INDUSTRIA9T02BT	INDUSTRIA9T02VV	INDUSTRIA9T05BT
Capacity 1st layer kg	9975	9975	11120	11120	11120
Capacity top layer kg	8000	8000	9000	9000	9000
Nb of layers	3	3	3	3	3
Wire rope cap. 1st layer m	15	15	16	16	16
Wire rope cap. top layer m	60	60	62	62	62
Wire rope Ø mm	22	22	24	24	24
Fixed speed 1st layer m/min	4		1,5		4
Fixed speed top layer m/min	5		2		4,5
Adjustable speed 1st layer m/min		0,4-4		0,1-1,5	
Adjustable speed top layer m/min		0,5-5		0,2-2	
FEM	1Am	1Am	1Am	1Am	1Am
Motor kW	9,2	9,2	4	4	9,2
Power	3Ph-230/400V	3Ph-230/400V	3Ph-230/400V	3Ph-230/400V	3Ph-230/400V
Weight (without wire rope) kg	910	920	1160	1190	1230

References	INDUSTRIA9T05VV	INDUSTRIA10T03BT	INDUSTRIA10T03VV	INDUSTRIA10T05BT	INDUSTRIA10T05VV
Capacity 1st layer kg	11120	12355	12355	12355	12355
Capacity top layer kg	9000	10000	10000	10000	10000
Nb of layers	3	3	3	3	3
Wire rope cap. 1st layer m	16	16	16	16	16
Wire rope cap. top layer m	62	62	62	62	62
Wire rope Ø mm	24	24	24	24	24
Fixed speed 1st layer m/min		2		3,5	
Fixed speed top layer m/min		2,5		4,5	
Adjustable speed 1st layer m/min	0,4-4,5		0,2-2		0,3-3,5
Adjustable speed top layer m/min	0,5-4,5		0,3-2,5		0,4-4,5
FEM	1Am	1Am	1Am	1Am	1Am
Motor kW	9,2	5,5	5,5	9,2	9,2
Power	3Ph-230/400V	3Ph-230/400V	3Ph-230/400V	3Ph-230/400V	3Ph-230/400V
Weight (without wire rope) kg	1250	1180	1210	1230	1250



### HUCHEZ's advice

These compact winches satisfy the needs of the industrial sector. Mobile tie-rods according to the rope outlet.  
Numerous options available.



HUCHEZ  
9, Grande Rue  
60420 FERRIERES – France  
☎ +33 (0) 3 44 51 11 33  
Site internet : [www.huchez.com](http://www.huchez.com)  
E-mail : [contact@huchez.fr](mailto:contact@huchez.fr)



**SERVICE  
CLIENTS**



Pour en savoir plus, n'hésitez pas à nous contacter !  
*To know more, please contact us!*